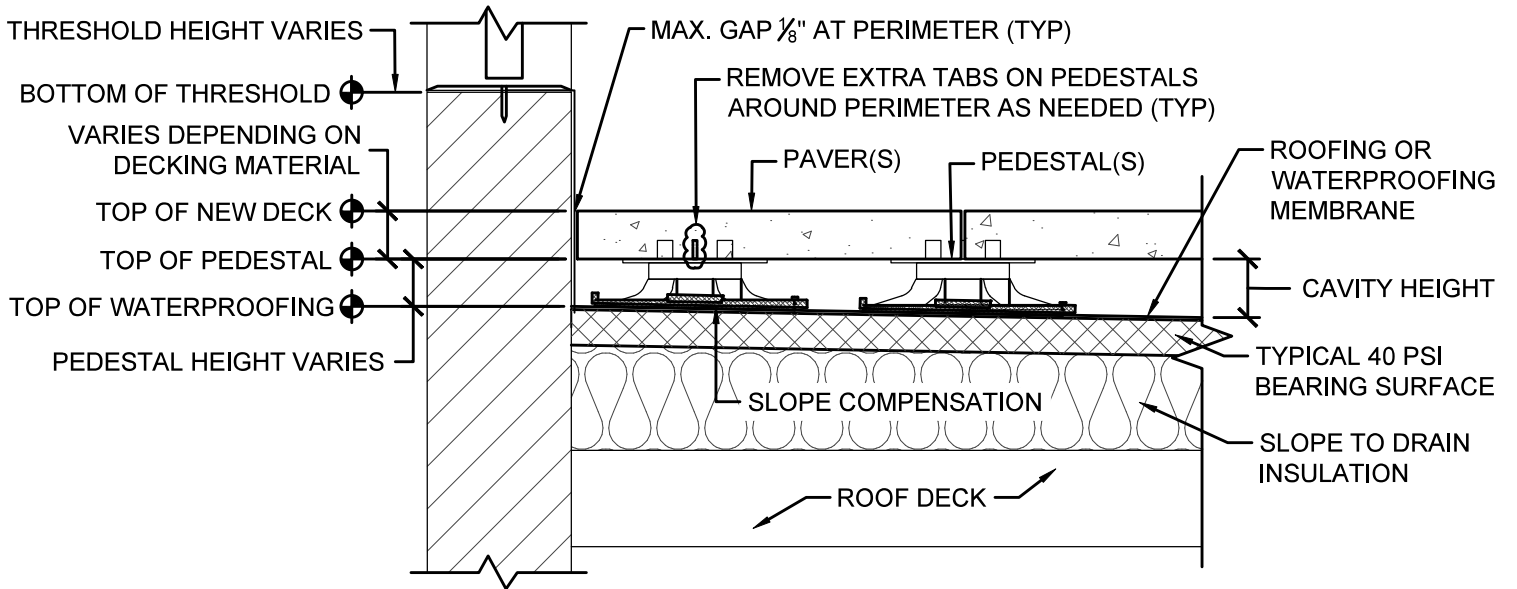


NOTE: STEP DOWN VARIES FROM 0" FOR ADA ACCESSIBILITY TO MAX. ALLOWABLE RISER HEIGHT PER CODE

THRESHOLD PEDESTAL PLACEMENT PLAN VIEW



THRESHOLD PEDESTAL PLACEMENT SECTION A-A